

E-308TA Series, Undervoltage Sensor, Rated up to 10 Amps, 28 Vdc

Product Facts

- DPDT
- Gasket sealed
- Meets many requirements of MIL-PRF-6106

Performance Data

Electrical Characteristics

Contact Arrangement — DPDT
Operating Voltage, Nom. — 28 Vdc
Resistive Rating — 10 Amps
Inductive Rating — 2 Amps

General Characteristics

Operating Ambient Temperature

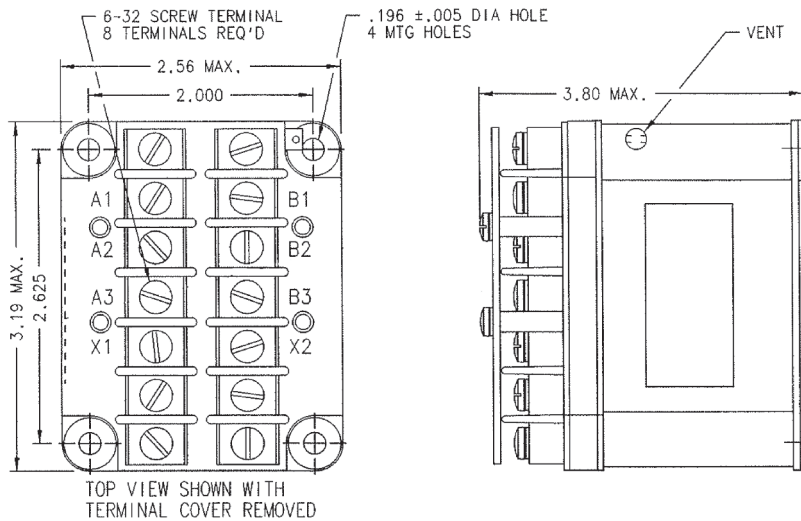
Range — -55°F to +165°F
Altitude — 50,000 ft
Weight, Max. — 15.5 oz

Coil Characteristics

Duty Cycle — Continuous
Input to Sensor, Nom. — 120 V, 400 Hz

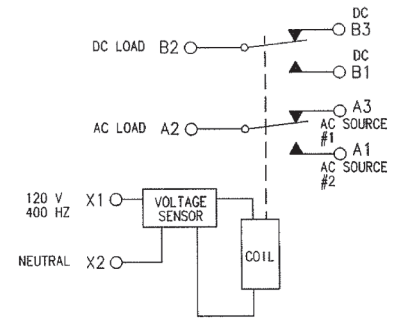
Operating Characteristic —

Contacts A1-A2, B1-B2 will close if the AC input voltage is above 106 ± 2 VAC
 Contacts A1-A2, B1-B2 will open if the AC input voltage falls below 106 ± 2 VAC.



Mounting Style A

Circuit Configurations (Consult factory for other available circuit configurations)



Circuit Configuration 1

HARTMAN Part Number	Construction Type	Mounting Style	Coil Type	Circuit Config.	TE Part Number
E-308TA	Gasket/Vented	A	Continuous	1	1616126-6

For factory-direct application assistance, phone 419-521-9500 or fax 419-526-2749.